



SPRUNG
INSTANT STRUCTURES®

Manufacturers of Engineered Relocatable Structures

TOLL FREE: 1-800-528-9899
OR (403) 245-3371 www.sprung.com

GENERAL NOTES:

1. ALL PERSONNEL DOORS C/W HOODS.

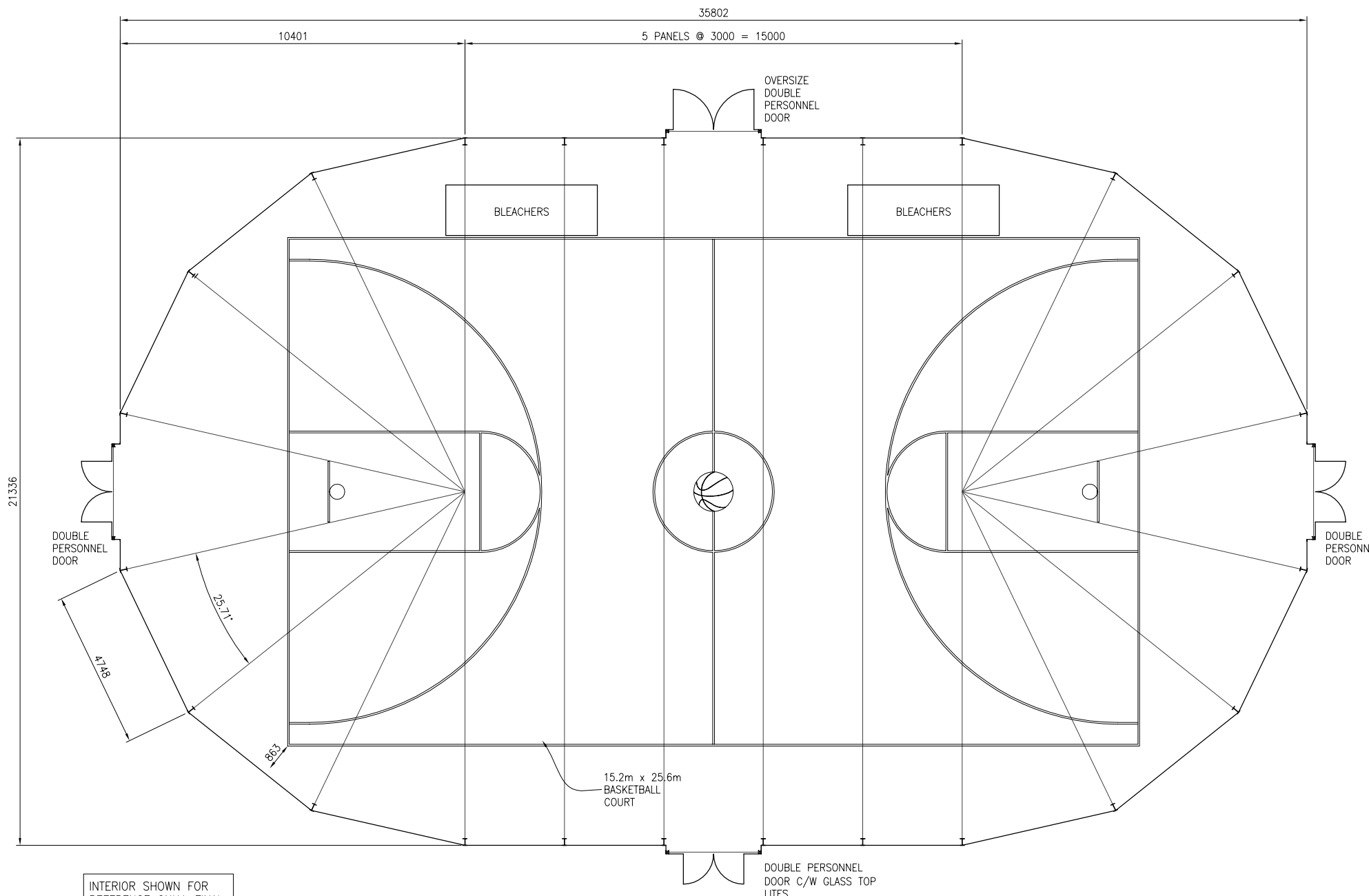
2. OUTER MEMBRANE TO BE FINISHED TO CONCRETE USING ALUM. FLAT BAR

3. STRUCTURE MEMBRANE MEETS: NFPA 701, CALIFORNIA STATE FIRE MARSHAL, ASTM E84, UBC 31-1, AND ULCS109 SPECIFICATIONS

4. THIS STRUCTURE IS DESIGNED TO SHED SNOW. THE PERIMETER OF THE STRUCTURE SHOULD BE KEPT CLEAR.

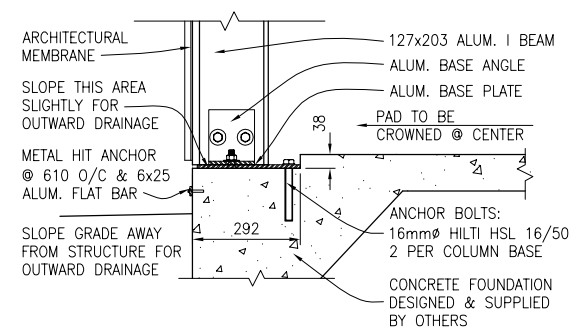
5. WHEN DESIGNING A HEATING, VENTILATION OR AIR CONDITIONING SYSTEM FOR ANY TYPE OF BUILDING, IT IS IMPORTANT TO ENSURE THAT THIS SYSTEM INTAKES MORE AIR THAN IS BEING EXHAUSTED AT ANY GIVEN TIME. THIS PROCESS WILL RESULT IN A POSITIVE PRESSURE BEING MAINTAINED. CONVERSELY, IF NEGATIVE PRESSURE EXISTS WITHIN THE STRUCTURE, IT WILL BE DIFFICULT TO OPEN DOORS AND MOISTURE WILL BE DRAWN INTO THE STRUCTURE.

6. ALL INTERIOR WALLS & PARTITIONS (IF APPLICABLE) TO BE FREE STANDING & INDEPENDENT OF SPRUNG STRUCTURE.

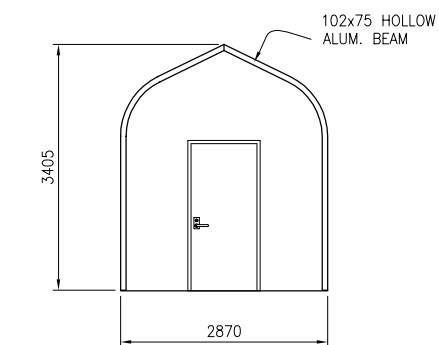


INTERIOR SHOWN FOR REFERENCE ONLY, FINAL LAYOUT DESIGNED & SUPPLIED BY OTHERS.

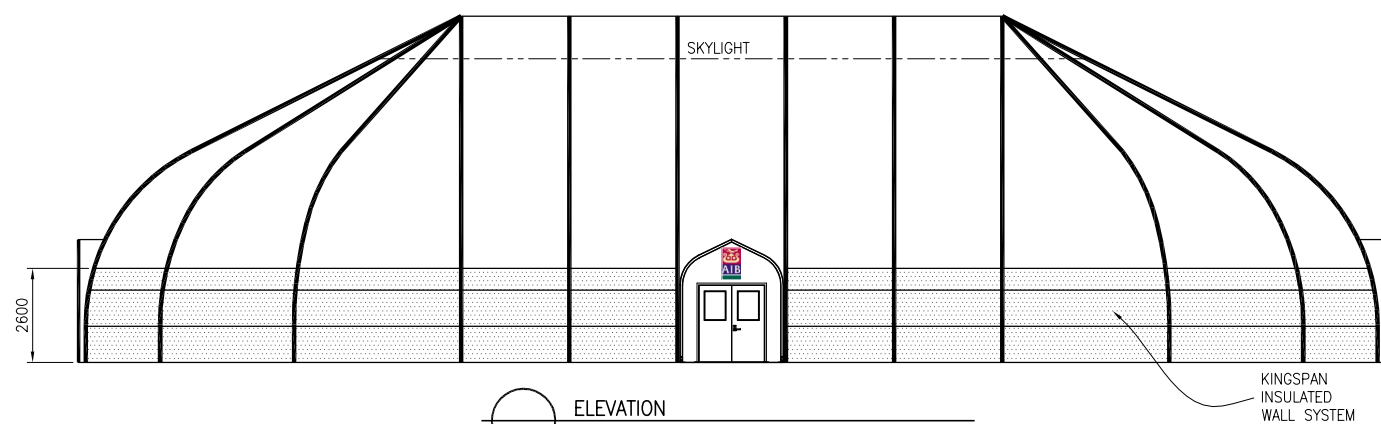
PLAN VIEW
1:75



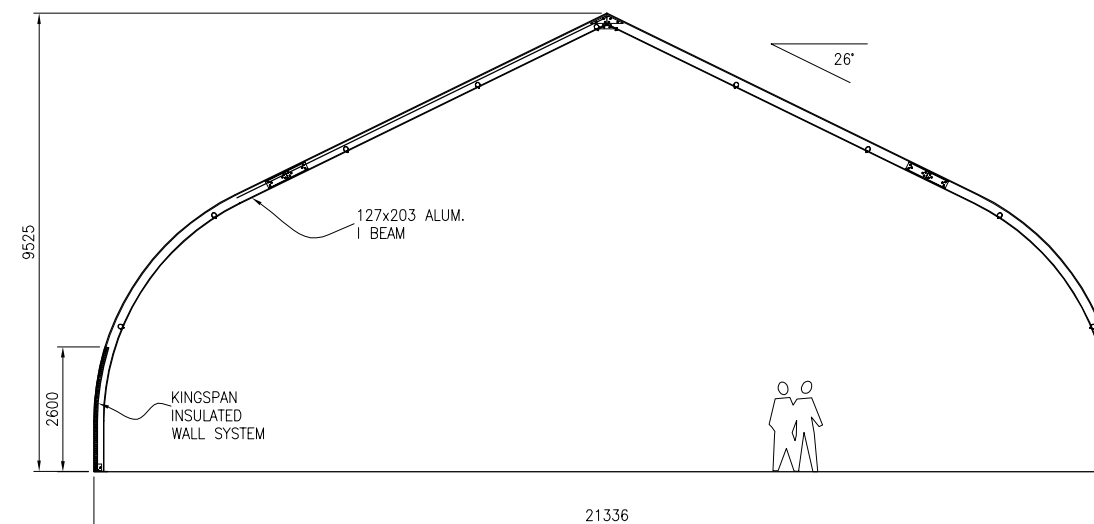
127x203 BEAM CONCRETE ANCHORAGE
1:10



SECTION 2.9m HOOD
1:50



ELEVATION
1:100



SECTION 21.3m STRUCTURE
1:75

REV.	DATE	DESCRIPTION

This drawing is protected by copyright in the United States of America, Canada and all other countries of the world. It, and all of the designs, technical data and engineering services represented by it and originated or rendered by SPRUNG INSTANT STRUCTURES INC. are the exclusive property of SPRUNG INSTANT STRUCTURES INC. and must neither be used in manufacturing nor disclosed nor reproduced in whole or in part except with the prior written consent of SPRUNG INSTANT STRUCTURES INC. Any copying of this drawing in whole or in part and any use of it to construct the subject matter illustrated is prohibited without prior written permission of SPRUNG INSTANT STRUCTURES INC. is prohibited.

COLAISTE CHOILM
P.E. HALL

21.3m x 35.8m
GYMNASIUM

DRAWN D. BENNETT	DATE 07/07/2003
CHECKED	APP'D
SCALE AS NOTED	DRAWING # P03278
CUST.APP'L	